

KINVARO

D-S flap stay with pull cable



- Damped opening
- Opening angle adjustable via length of pull cable
- Can be used with shallow cabinets from 82 mm depth
- Flap height 200 mm – 480 mm
- Can be used on left/right
- Easy to install horizontally or vertically
- Colours White and Night
- Colour-coordinated with Tiomos flap hinge

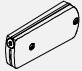
Note:

- Please order Tiomos flap hinges separately

APPLICATION RANGE

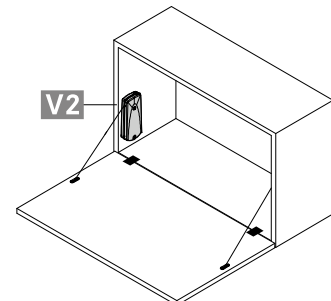
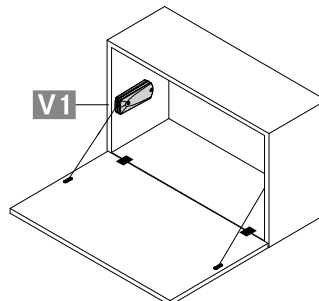
Front height (FH)	V1 + V2			
	Flap weight incl. handle (kg)			
	Spring 40N		Spring 60N	
	1 x	2 x	1 x	2 x
200 - 270	1.7 - 3.0	3.9 - 4.5	3.1 - 4.0	7.5 - 8.0
270 - 330	1.7 - 3.0	3.3 - 4.5	3.1 - 4.0	6.1 - 7.4
330 - 380	1.7 - 1.9	3.2 - 3.5	2.9 - 3.5	5.1 - 6.8
380 - 430	1.5 - 1.8	2.7 - 3.3	2.5 - 3.3	4.8 - 6.6
430 - 460	1.2 - 1.7	2.5 - 3.1	2.3 - 3.3	4.6 - 6.0
460 - 480	-	-	2.2 - 2.8	4.4 - 5.3

ORDER INFORMATION

Kinvaro D-S flap stay			
Designation	Spring	Colour	Art.-no.
Kinvaro D-S flap stay including front holder and fixing screws	40N	White	F053139664
		Night	F053139665
	60N	White	F053139666
		Night	F053139667

Note:

Please order Tiomos flap hinges separately.



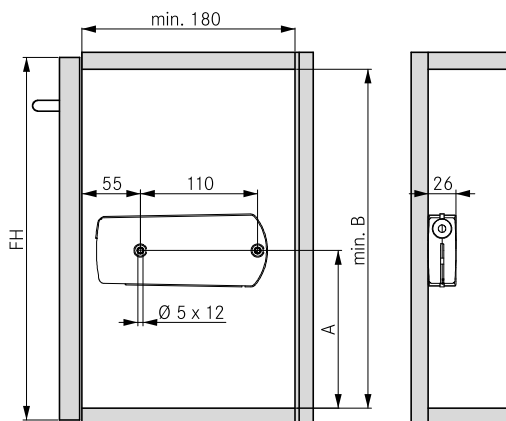
Assembly aids	50
Kinvaro D-S adjustment options	48

ASSEMBLY AND INSTALLATION INSTRUCTIONS

All dimensions in millimetres

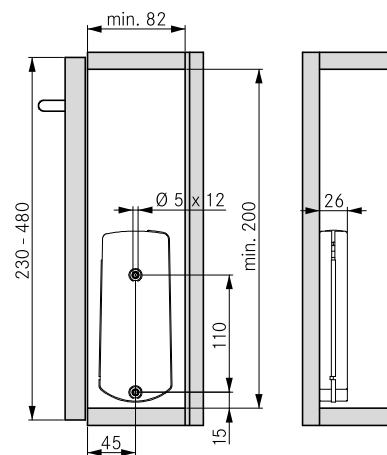
Drill position and space required

V1

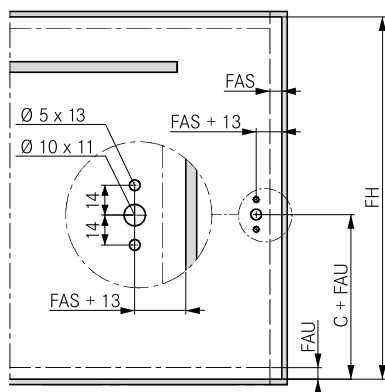


FH	A	B
200 - 270	135	173
270 - 480	148	186

V2



Front mounting for wooden flaps



FH	C (V1)	C (V2)
200 - 270	123	-
270 - 480	144	-
230 - 480	-	123

Minimum gap and door protrusion depend on the fitted hinge.
You can find suitable hinges in the hinge systems product catalogue.

Calculation of flap weight

Flap width x flap height x flap thickness x density ¹ + weight of handle ² = weight of flap

¹ Densities: MDF board 0.85 kg/dm³, chipboard 0.65 kg/dm³, spruce/pine 0.45 kg/dm³

² Bar handles must be entered with 0.1 kg per 100 mm of handle length. We recommend a trial fitting

LEGEND

- FAS Front overlay, side
- FAU Front overlay, bottom
- FH Front height